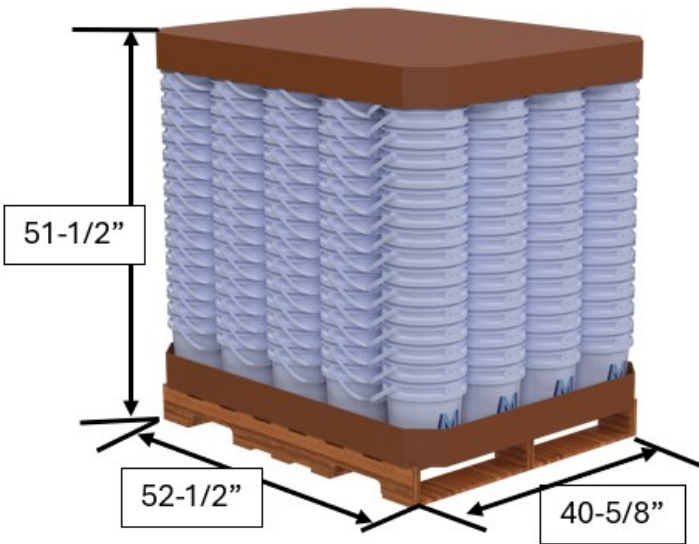
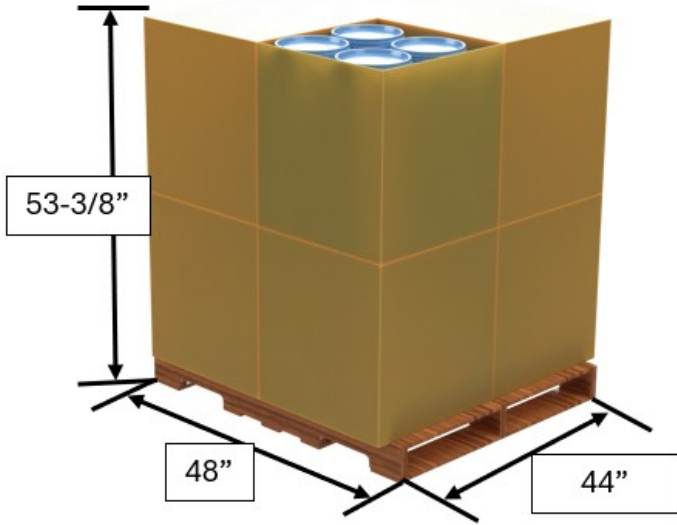


# Industrial M5 2.0 Gallon

Our versatile M5 pail is designed to keep your ingredients fresh and accessible. Its sturdy construction is easy to carry, stack and ensures durability



## PAIL AND LID INFORMATION

Pail description	2.0 gallon M5
Cover	Snap on
Origin of Pail	USA
Resin	HDPE
UN Rating	N/A
Exterior height with cover	10-1/8"
Pail height	10"
Top exterior dimensions	10"
Top interior dimensions	9-1/8"
Bottom interior dimensions	8"
Pail weight	390 grams / .86 LBs
Lid weight	90 grams / 0.2 LBs
Wall thickness	0.065"
Decoration style	Print / Hot stamp
Decoration area	6-1/2" x 26-3/4"
Color	White PLEASE INQUIRE ABOUT CUSTOM COLORS
Handle Style	Standard metal Optional plastic
Tamper Evident	Optional
Gasket	NA
Fitments	PLEASE INQUIRE ABOUT CUSTOM FITTINGS
Top load rating	175 Lbs
Post consumer resin capability	Yes
FDA approved materials	Yes

## PACKOUT INFORMATION

Lid quantity per pallet	1,664
Lid quantity per truck	15,300 Lids
Lid pallet size (L x W x H)	48" x 44" x 53-3/8"
Pail quantity per pallet	340
Pail quantity per truck	15,300 Pails
Pail pallet size (L x W x H)	52-1/2"x40-5/8"x51-1/2"