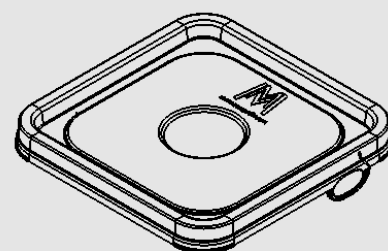


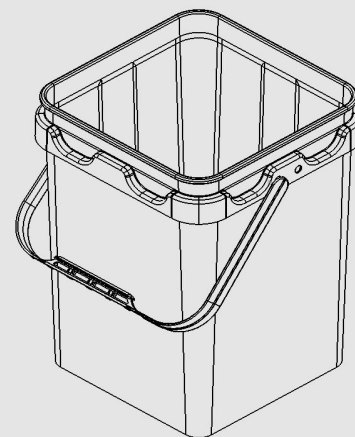
### Cover Specification

Origin of Materials	100% US Manufactured
Material	HDPE
Mfg. Method	Injection Molding
Weight	.35 lbs. / 155 g
Height	1"
Outside Diameter	10" x 10"
Min Wall Thickness	.065"
Standard Color	White <i>Please inquire about custom colors</i>
Quantity	<b>1265 Units per Pallet</b> (if pails have no middle pallet Double Stacked, 10,800 Units per Truckload) <b>1200 Units per Pallet</b> (if pails have a middle pallet Double Stacked, 10,120 Units per Truckload)



### Pail Specification

Origin of Materials	100% US Manufactured
Material	HDPE
Mfg. Method	Injection Molding
Weight	1.29 lbs. /585 grams
Min. Wall Thickness	.065"
Exterior Height	13 7/8" With Cover 14"
Top Outside Diameter	10" x 10"
Bottom Outside Diameter	8-3/8" x 8-3/8"
Shipping Quantity	<b>240 Units per Pallet</b> (No Middle Pallet Double Stacked) 10,800 Units per Truckload <b>220 Units per Pallet</b> (With Middle Pallet Double Stacked) 10,120 Units per Truckload
Standard Color	White <i>Please inquire about custom colors</i>
Decoration	In Mold Labeling (IML)
Top Load Rating	300 lbs.

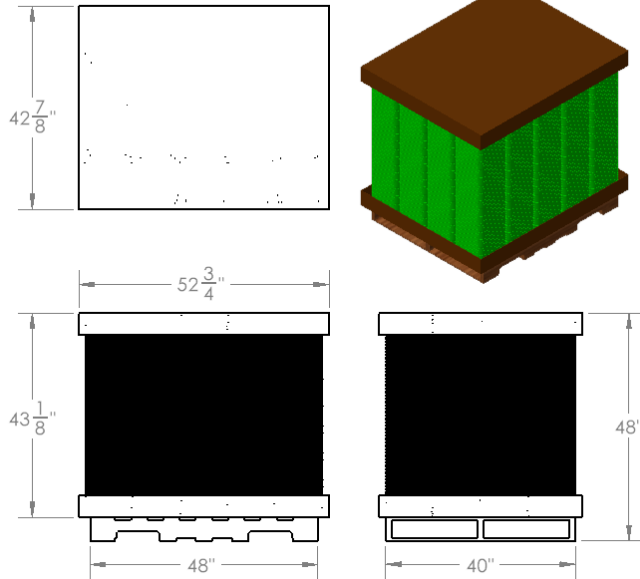


**Pack Specifications For Cover**

**Shipped with Double Stacked**

**Pallets, With Middle Pallet**

- 1200 lids per pallet
- 20 Stacks x 60 high
- Lid Material is HDPE



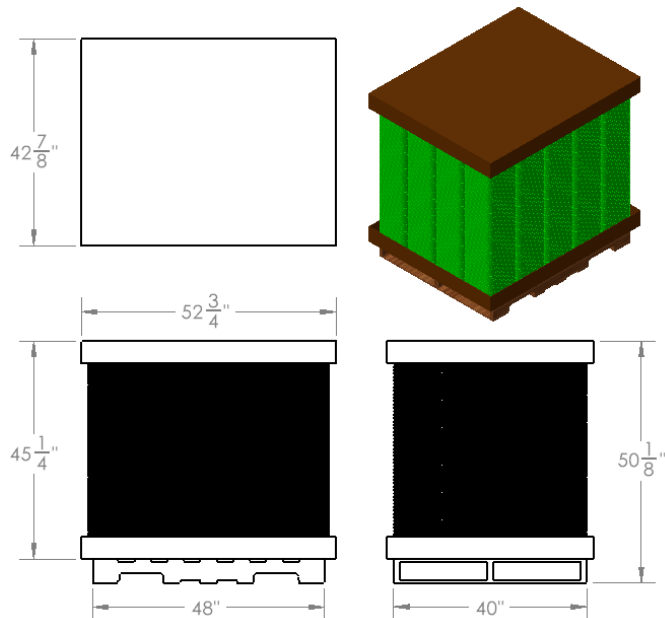
**Pack Specifications For**

**Cover Shipped with**

**Double Stacked Pallets,**

**No Middle Pallet**

- 1265 lids per pallet
- 20 Stacks x 63 high
- Lid Material is HDPE

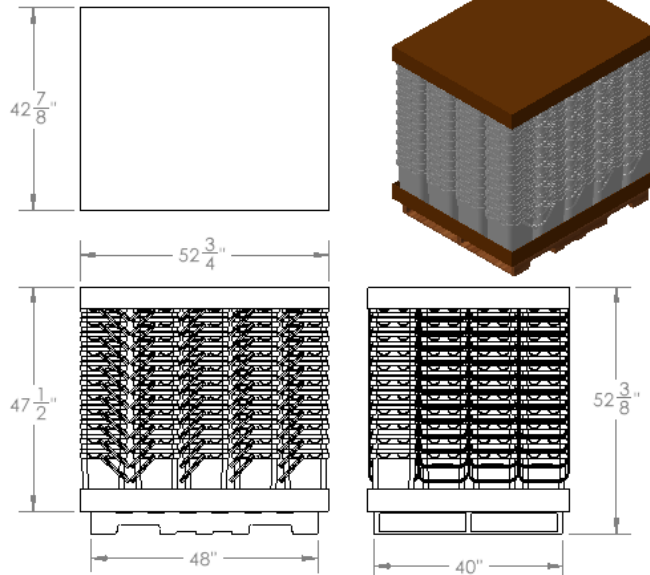


**Pack Specifications For Pail**

**Shipped with Double Stacked**

**Pallets, No Middle Pallet**

- 240 pails per pallet
- 20 Stacks x 12 high
- Pail Material is HDPE



**Pack Specifications For Pail Shipped with Double Stacked Pallets, With Middle Pallet**

- 220 pails per pallet
- 20 Stacks x 11 high
- Pail Material is HDPE

